

DT122

Desktop Chassis for Mini-ITX



KEY FEATURES



Desktop Chassis

Compact Designed to accommodate Mini-ITX MB



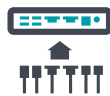
Diverse Storage Support

1x 2.5"/3.5" SATA bay available



Expansion Available

1 PCIe slot for single slot IO card expansion(Opt.)



Rich I/O Expansion

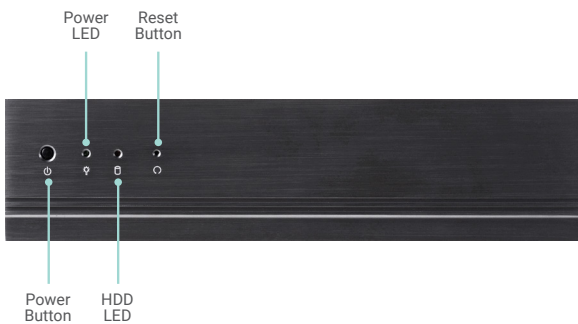
Optional reserved I/O opening for 3xDB9 and 1xDB25 ports



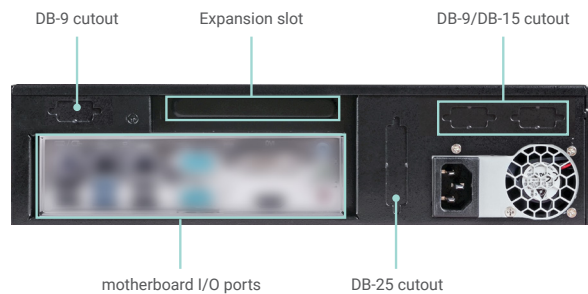
FlexATX PSU Available

Support FlexATX PSU for AC-In request

PANEL

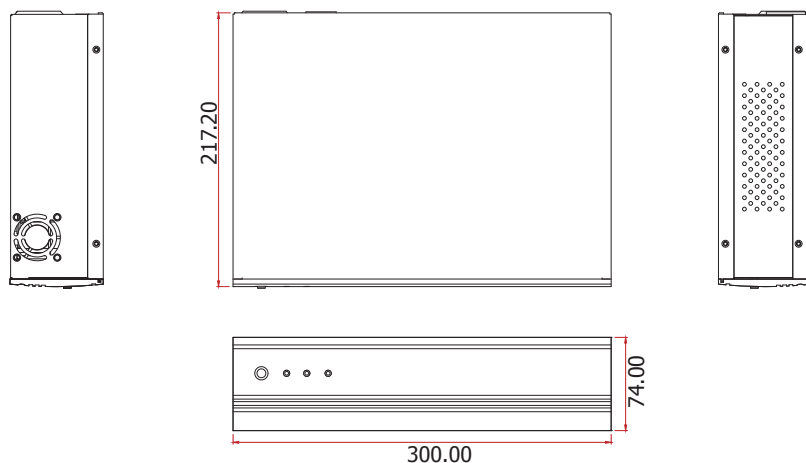


Front View



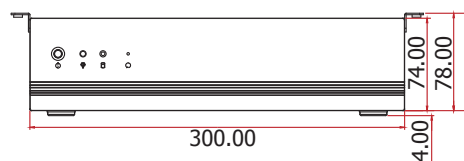
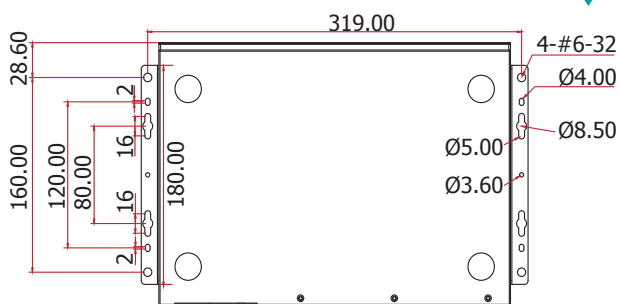
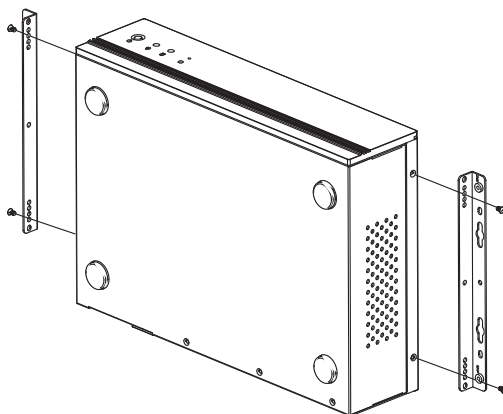
Rear View

DIMENSIONS

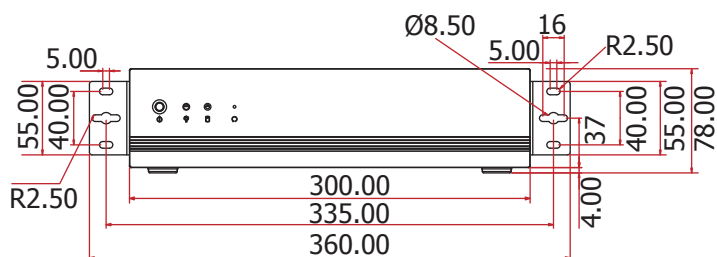
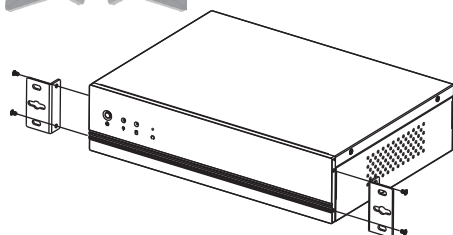


WALL MOUNTING

Type A Wall mount bracket



Type B Wall mount bracket



SPECIFICATION

DRIVE BAY	External/Internal	1 x 2.5"/3.5" SATA Drive Bay
EXPANSION	Interface	1 x Expansion Slot(w/o GPU card)
RESERVED I/O HOLES (OPT.)	Front	N/A
	Rear	1 x DB25 ports 3 x DB9 ports
PANEL CONTROL / LED	Buttons	1 x Power Switch 1 x Reset Switch 1 x Power LED 1 x HDD LED
COOLING	Fan	1 x 40mm System Fan
POWER	Supply	FlexATX PSU (Length up to 150mm)
PHYSICAL CHARACTERISTICS	Dimensions (W x H x D)	300 x 74 x 217.20mm
	Weight	TBD
STANDARDS AND CERTIFICATIONS	Shock	Operating: 3G
	Vibration	Operating: 1G

OPTIONAL ITEMS

Optional Items	Part Number	Description
Wall Mount	761-DT1220-100G	DT122 type A wall mount kit for top cover, RoHS
	761-DT1220-000G	DT122 type B wall mount kit for front cover, RoHS